

MIT300/500 Metallurgical Microscope

- Dark field objective , Make observation in dark & bright field.
- Oversize view field eyepiece, view field up to 22mm for comfortable observation.
- Trinocular head with dual transform. Light distribution (both): 100: 0 (100% for eyepiece)
80:20 (80% for trinocular head and 20% for eyepiece)



- Stage with fast lowering unit can increase 50mm for working distance, more convenient for observing big size sample.
- Oversized three-layer mechanical stage provides more choice for samples.



1. Polarizer 2.Filter switch handle 3. Field diaphragm 4.Aperture diaphragm A. Analyzer B. Ground glass slider

Objective specification: ("●"Is Standard outfits, "○" Is Optional Accessories.)

	Objectives	N.A.	W.D.(mm)	MIT300/MIT500	MIT300D/ MIT500D
Metallurgical LWD Infinity Plan Objectives	LMPlan FL 5× (Semi Apochromatic Objective)	0.15	21.00	●	
	LMPlan FL 10× (Semi Apochromatic Objective)	0.30	20.00	●	
	LMPlan FL 20× (Semi Apochromatic Objective)	0.40	15.00	●	
	LMPlan FL 50× (Semi Apochromatic Objective)	0.75	4.25	●	
	LPL 80×	0.80	0.85	○	
	LMPlan 100× (Dry) (Semi Apochromatic Objective)	0.85	3.00	○	
Metallurgical LWD Infinity Plan Objectives for Bright/Dark Field	M PLAN 5× BD	0.15	7.30		●
	M PLAN 10× BD	0.25	11.50		●
	M PLAN 20× BD	0.40	5.60		●
	M PLAN 50× BD	0.70	1.60		●



Metallurgical LWD Infinity Objectives



Metallurgical LWD Infinity Plan Objectives for Bright & Dark Field

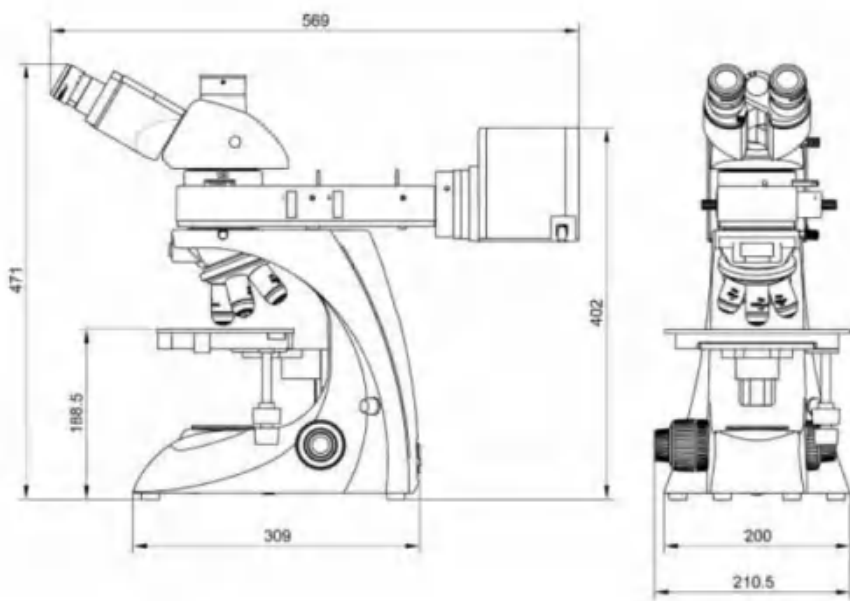


MIT300D Darkfield & Brightfield Metallurgical Microscope

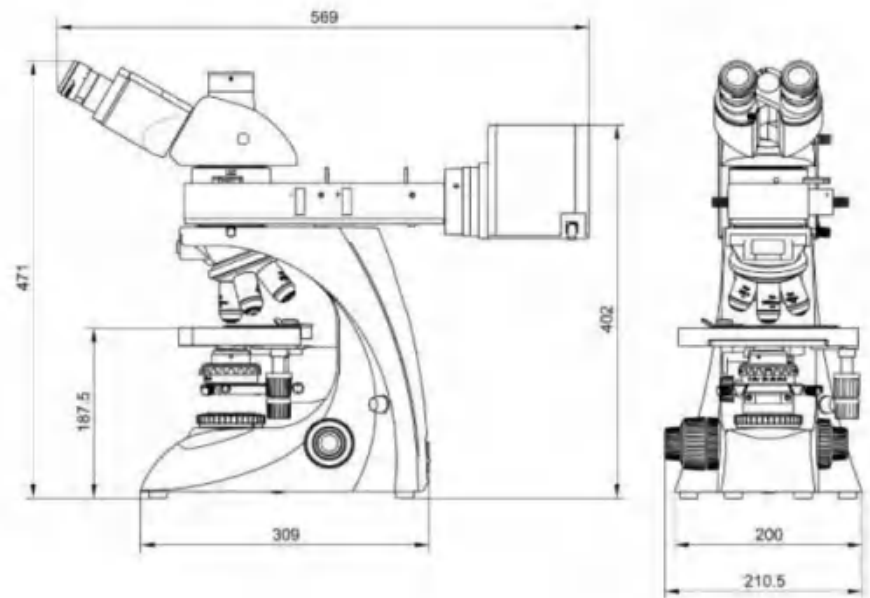


MIT500D Darkfield & Brightfield Metallurgical Microscope

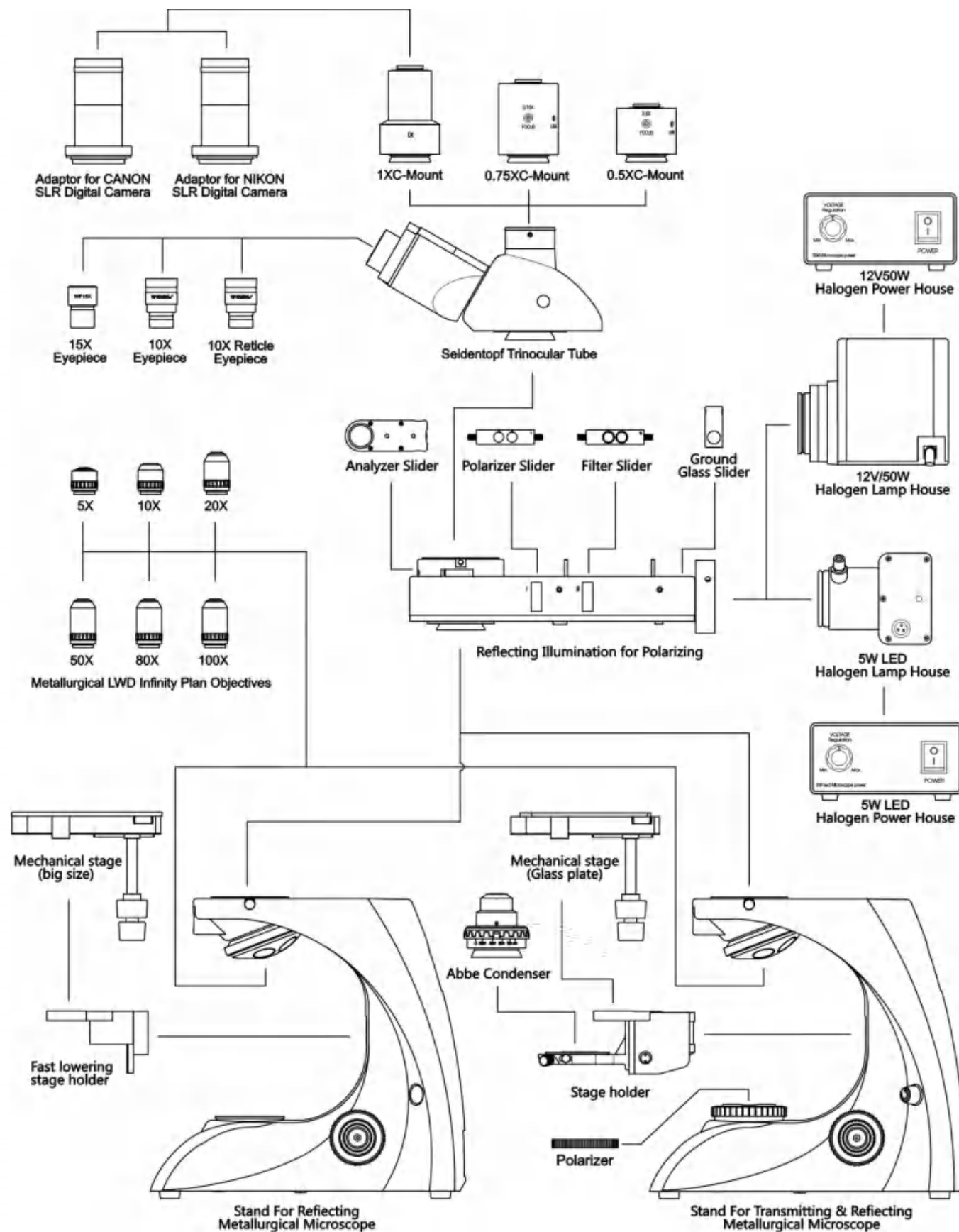
Metallurgical Microscope Size(mm)



MIT500 Metallurgical Microscope Size(mm)



MIT300/500 Metallurgical Microscope General Layout Diagram



MIT300/500 Metallurgical Microscope Outfits

Items	Specification	MIT300	MIT300D	MIT500	MIT500D
Eyepiece	WF10X / 22mm (adjustable)	●	●	●	●
	WF10X / 22mm (adjustable , reticule 0.1mm)	●	●	●	●
Metallurgical LWD Infinity Plan Objective	LMPlan FL 5×/0.15 (Semi Apochromatic Objective) W.D=21.00mm	●		●	
	LMPlan FL 10×/0.30 (Semi Apochromatic Objective) W.D=20.00mm	●		●	
	LMPlan FL 20×/0.40 (Semi Apochromatic Objective) W.D=15.00mm	●		●	
	LMPlan FL 50×/0.75 (Semi Apochromatic Objective) W.D=4.25mm	●		●	
	LPL80X / 0.80 W.D=0.85mm	○		○	
	LMPlan FL 100×/0.85 (Dry) (Semi Apochromatic Objective) W.D=3.00mm	○		○	
Metallurgical LWD Infinity Plan Objectives for Bright & Dark Field	M PLAN 5× / 0.15 BD W.D=7.30mm		●		●
	M PLAN 10× / 0.25 BD W.D.= 11.50mm		●		●
	M PLAN 20× / 0.40 BD W.D.= 5.60mm		●		●
	M PLAN 50× / 0.75 BD W.D.= 1.60mm		●		●
Seidentopf Trinocular Head	Inclined 30°,rotatable 360°, Interpupillary distance: 48mm ~ 76mm Light distribution (both): 100: 0 (100% for eyepiece) 80:20 (80% for trinocular head and 20% for eyepiece)	●	●	●	●
Nosepiece	Quintuple	●		●	
	Quadplex (specially for bright /dark field objectives M26x1/36")		●		●
Mechanical Stage	Stage size: 200mm x 150mm Travel range: 77mm x 52mm Stage fast lowering unit: Up-Down moving range can be increased 50mm.	●	●		
	Stage size: 182mm x 140mm, Travel range: 77mm x 52mm			●	●
Polarizing Unit	Polarizer /Analyzer	●	●	●	●
Condenser	Abbe N.A. 1.25 , with Iris Diaphragm.			●	●
Coaxial Coarse and Fine Focusing Unit	Coarse stroke: 25mm, Fine stroke per rotation: 0.2mm, fine division 2 μm, Tightness adjustment, upper distance limiter.	●	●	●	●
Reflecting Illumination	5WLED lamp DC input (Universal voltage : 100V ~ 240V)	●		●	
	12V/50W Halogen lamp (Universal voltage : 100V ~ 240V)	○	●	○	●
Transmitting Illumination	5WLED lamp DC input (Universal voltage : 100V ~ 240V)			●	○
	12V/30W Halogen lamp (Universal voltage : 100V ~ 240V)			○	●
Filter for transmission (Φ45)	Blue			○	○
	Green/ Amber/ Grey			○	○
Filter for Reflection (Φ21)	Blue	●	●	●	●
	Green/ Amber/ Grey	○	○	○	○
Filter	Ground glass slider	●	●	●○	●
C-Mount	1 X /0.75X/0.5X/0.35X(Focus Adjustable)	○	○	○	○

Note: "●" In Table Is Standard outfits, "○" Is Optional Accessories.

Packing Size: 520mm×470mm×430mm Gross Weight: 16 kgs Net Weight: 12kgs