

MDS400 Inverted Metallurgical Microscope

- New research and new development
- Combination with bright field, dark field, polarizing observation etc. Widely used in metal, mineral, electronic field



- Dark field objective , Make observation in dark & bright field.
Oversize view field eyepiece, view field up to 22mm for comfortable observation.



- Oversized three-layer working stage, more choice for samples.
Light distribution (both): 100 : 0 (100% for eyepiece) ; 80 : 20 (80% for trinocular head and 20% for eyepiece)



Analyzer & Polarizer for simple polarizing observation

Objective specification: ("●"Is Standard outfits, "○"Is Optional Accessories.)

	Objectives	N.A.	Working Distance(mm)	MDS400	MDS400D
Metallurgical LWD Infinity Plan Objectives	LMPlan FL 5× (Semi Apochromatic Objective)	0.15	21.00	●	
	LMPlan FL 10× (Semi Apochromatic Objective)	0.30	20.00	●	
	LMPlan FL 20× (Semi Apochromatic Objective)	0.40	15.00	●	
	LMPlan FL 50× (Semi Apochromatic Objective)	0.75	4.25	●	
	LPL 80×	0.80	0.85	○	
	LMPlan 100× (Dry) (Semi Apochromatic Objective)	0.85	3.00	○	
Metallurgical LWD Infinity Plan Objectives for Bright/Dark Field	M PLAN 5× BD	0.15	7.30		●
	M PLAN 10× BD	0.25	11.50		●
	M PLAN 20× BD	0.40	5.60		●
	M PLAN 50× BD	0.75	1.60		●

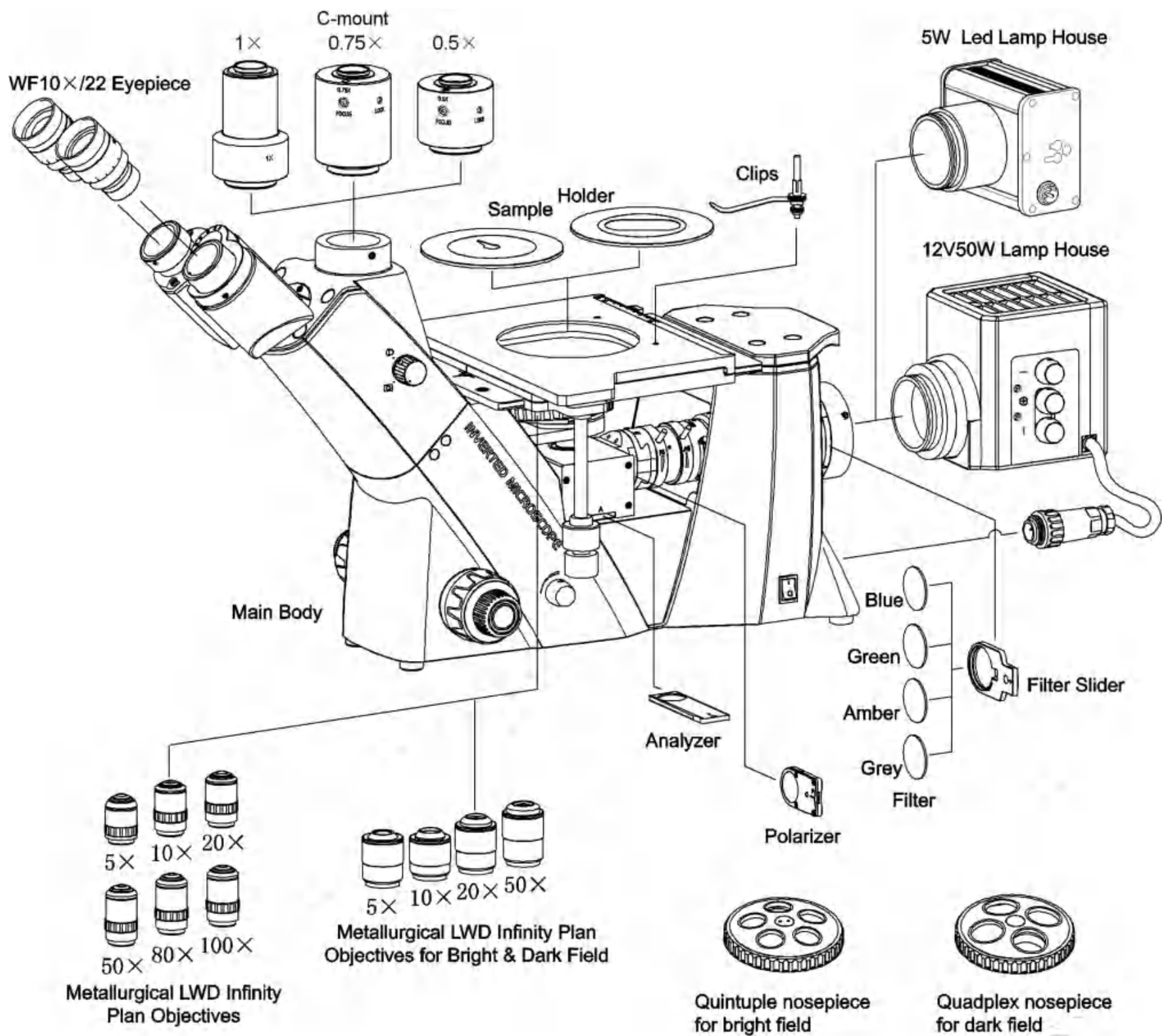


Metallurgical LWD Infinity Objectives

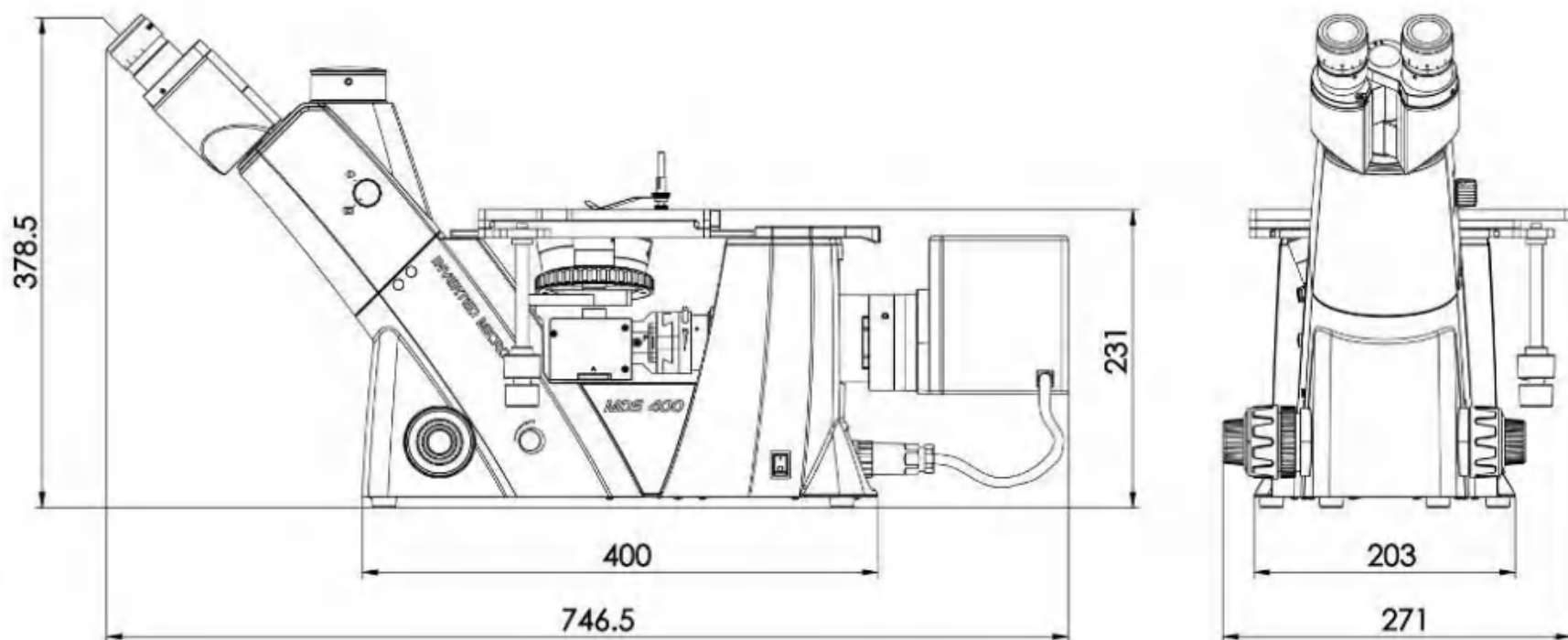
Metallurgical LWD Infinity Plan Objectives for Bright & Dark Field



MDS400 Inverted Metallurgical Microscope General Layout Diagram



MDS400 Inverted Metallurgical Microscope Size(mm)



MDS400 Inverted Metallurgical Microscope Outfits

Items	Specification	MDS400	MDS400D
Eyepiece	WF10× / 22mm (adjustable)	●	●
	WF10× / 22mm (adjustable , reticule 0.1mm)	●	●
Metallurgical LWD Infinity Plan Objectives	LMPlan FL 5×/0.15 (Semi Apochromatic Objective) W.D.=21.00mm	●	○
	LMPlan FL 10× /0.30 (Semi Apochromatic Objective) W.D.= 20.00mm	●	○
	LMPlan FL 20× /0.40 (Semi Apochromatic Objective) W.D.= 15.00mm	●	○
	LMPlan FL 50× /0.75 (Semi Apochromatic Objective) W.D.= 4.25mm	●	○
	LMPlan FL 50X/0.55 (Semi Apochromatic Objective) W.D.=10.00mm	○	
	LPL 80× / 0.80 W.D.= 0.85mm	○	○
	LMPlan FL 100×0.85 (Dry) (Semi Apochromatic Objective) W.D.= 3.00mm	○	○
Metallurgical LWD Infinity Plan Objectives for Bright & Dark Field	M PLAN 5× / 0.15 BD W.D.=7.30mm		●
	M PLAN 10× / 0.25 BD W.D.= 11.5mm		●
	M PLAN 20× / 0.40 BD W.D.= 5.60mm		●
	M PLAN 50× / 0.75 BD W.D.= 1.60mm		●
Seidentopf Trinocular Head	Inclined 30°, interpupillary distance: 48-76mm Light distribution (both):100: 0 (100% for eyepiece) 80:20 (80% for trinocular head,and 20% for eyepiece)	●	●
Nosepiece	Quintuple	●	
	Quadplex (specially for bright /dark field objectives)		●
Mechanical Stage	Stage size: 210 mm×180mm, Moving range:50×50mm , Scale : 0.1mm	●	●
Coaxial Coarse and Fine Focusing unit	Coarse stroke: 10mm, Fine stroke per rotation: 0.2mm, fine division 2 μm.	●	●
Polarizing Unit	Polarizer /Analyzer	●	●
Illumination	12V/50W Halogen (Universal voltage : 100V ~ 240V)	●	●
	5WLED lamp DC input (universal voltage : 100V ~ 240V)	○	○
Filter(Φ34)	Blue	●	●
	Green/ Amber/ Grey	○	○
C-mount	1×/0.75×/0.5×C-Mount (focus adjustable)	○	○
Adaptor for Digital Photograph	Use for CANON/NIKON/OLYMPUS etc.	○	○

Note: "●" In Table Is Standard outfits, "○" Is Optional Accessories.

Packing Size: 660mmx590mmx325mm Gross Weight: 17 kgs Net Weight: 12.5 kgs