

BDS500 Inverted Biological Microscope

Same Objective for Both Bright Field & Phase Contrast Observation Not Necessary to Change Different Objective

- Same Objective for Both Bright Field & Phase Contrast Observation
- Brand-new development for life science research
- Both light ports for digital camera and SLR photography, available for observing with digital camera and SLR photography at the same time



Convertible handle for DSLR Camera
Coaxial coarse and fine focusing knobs
Tension adjustment



Special light port for SLR digital camera,
7° inclined up to be more convenient to
observe the image of the SLR camera



BDS500 Inverted Biological Microscope



BDS500 Inverted Fluorescence Microscope
(4-group LED lamp)



BDS500 Inverted Fluorescence Microscope
(1/2/3-group LED lamp)



BDS500 Inverted Fluorescence Microscope
(1/2/3/4-group 100W Mercury Lamp)

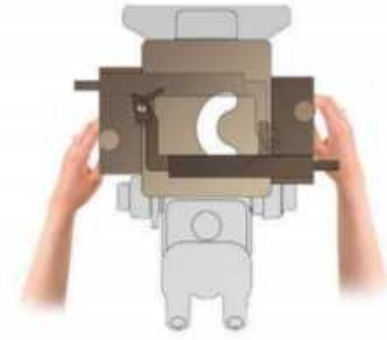
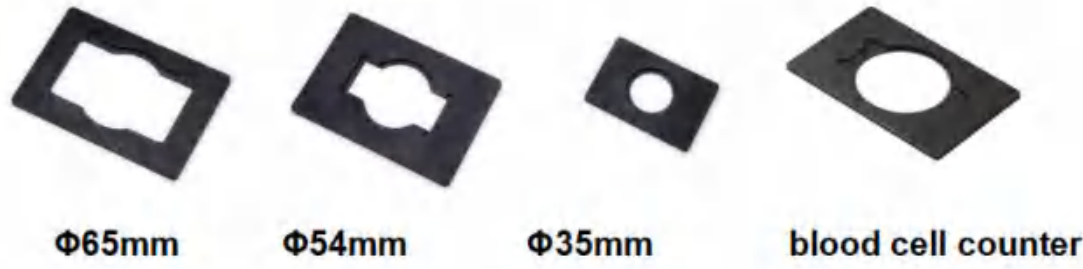


12V/50W Kohler
illumination makes the
field more even and brighter.



4-hole rotating disc phase
contrast condenser for standard
to change bright field and phase
contrast fast

Culture Dish Holder



Knob can be changed by left or right



Universal Holder



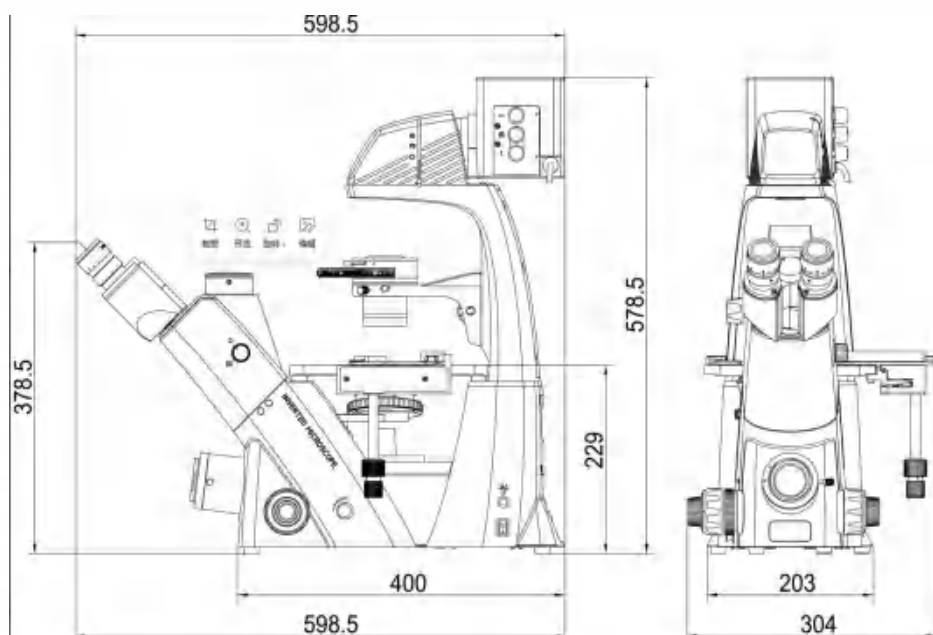
Glass Holder



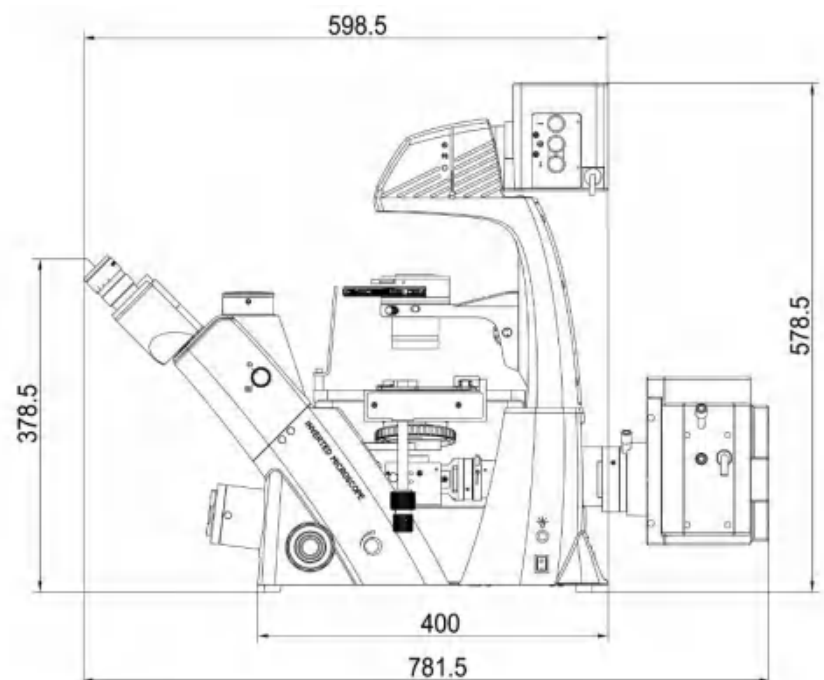
1/2/3-group LED Epi fluorescence Unit

Objective Parameter List (Cover-glass thickness 1.1mm)

	Objectives	N.A.	Working distance(mm)
LWD Infinity Plan Objectives	Plan FL 2X	0.06	7.2
	L Plan FL 4X	0.11	12.1
	L Plan FL 10X	0.25	10.3
	L Plan FL 20X	0.45	5.8
	L Plan FL 40X	0.65	5.1
	L Plan FL 2X	0.06	7.2
LWD Infinity Plan Phase Contrast Objectives	L Plan FL PHP 4X (Both for Bright Field & Phase Contrast)	0.10	9.2
	L Plan FL PHP 10X (Both for Bright Field & Phase Contrast)	0.25	10.3
	L Plan FL PHP 20X (Both for Bright Field & Phase Contrast)	0.45	5.8
	L Plan FL PHP 40X (Both for Bright Field & Phase Contrast)	0.65	5.1
LWD Infinity Plan Fluor Objectives	L Plan Fluor 10x	0.30	14.0
	L Plan Fluor 20x	0.45	6.6
	L Plan Fluor 40x	0.65	3.9

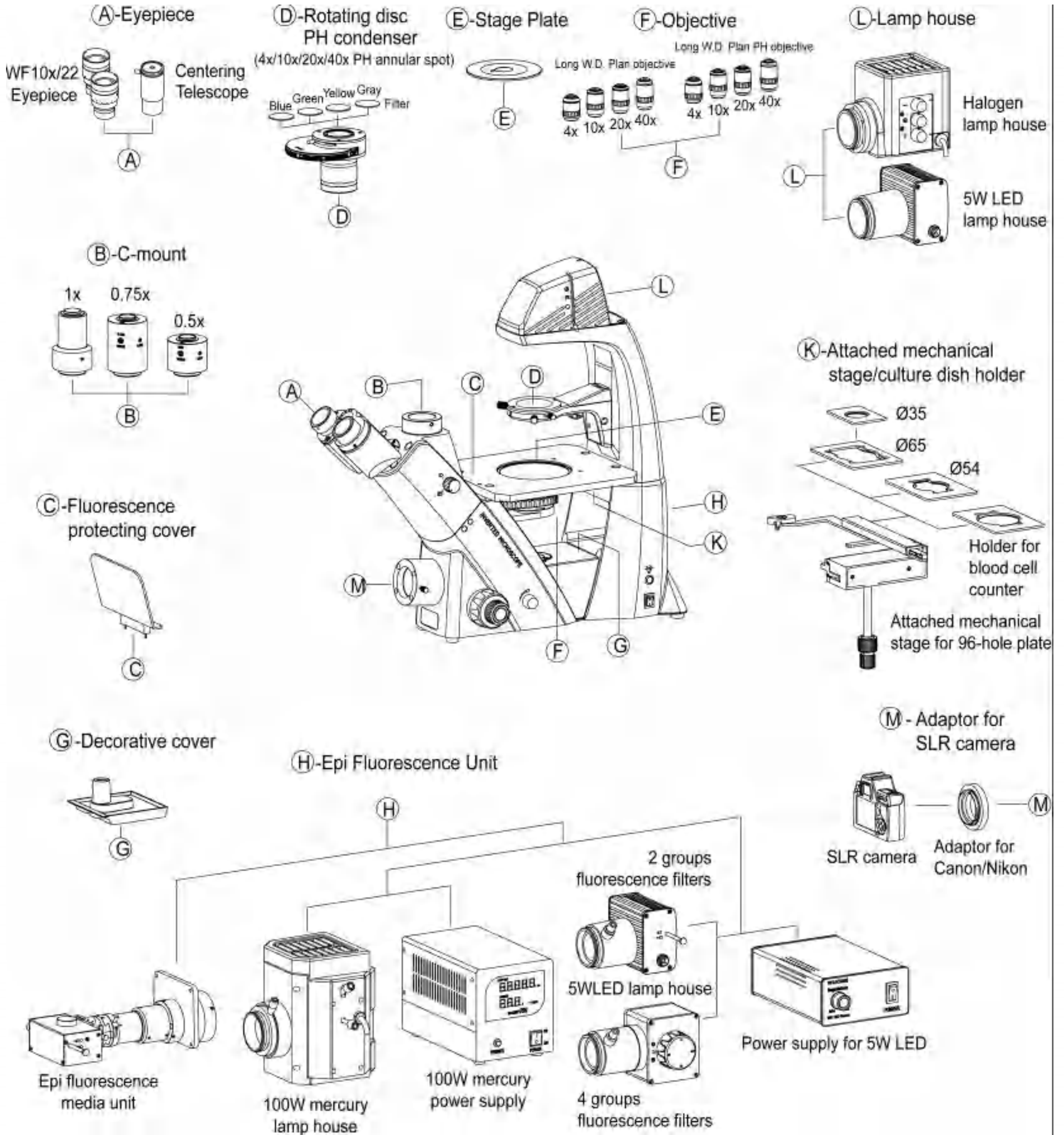


BDS500 Inverted Biological Microscope Size(mm)



BDS500 Inverted Fluorescence Microscope Size(mm)

BDS500 Inverted Biological Microscope General Layout Diagram



BDS500 Inverted Biological Microscope Outfits

Items	Specification	Outfits
Eyepiece	WF10X / 22mm (adjustable)	●●
	Centering telescope	●
LWD Infinity Plan Objectives	Plan FL 2X / 0.06 W.D.=7.2mm	○
	L Plan FL 4X / 0.11 W.D.=12.1mm	●
	L Plan FL 10X / 0.25 W.D.=10.3mm	○
	L Plan FL 20X / 0.45 W.D.=5.8mm	○
	L Plan FL 40X / 0.65 W.D.=5.1mm	○
LWD Infinity Plan Phase Contrast Objectives	Plan FL PHP 4X / 0.10 (Both for Bright Field & Phase Contrast) W.D.=9.2mm	○
	L Plan FL PHP 10X / 0.25 (Both for Bright Field & Phase Contrast) W.D.=10.3mm	●
	L Plan FL PHP 20X / 0.45 (Both for Bright Field & Phase Contrast) W.D.=5.8mm	●
	L Plan FL PHP 40X / 0.65 (Both for Bright Field & Phase Contrast) W.D.=5.1mm	●
LWD Infinity Plan Fluor Objectives	L Plan Fluor 10x / 0.30 W.D.=14.0mm	○
	L Plan Fluor 20x / 0.45 W.D.=6.6mm	○
	L Plan Fluor 40x / 0.65 W.D.=3.9mm	○
Annular Spot	10×/20×/ 40×	●
	4x	●
Seidentopf Trinocular Head	Inclined 45°, interpupillary distance: 48-76mm Light distribution (both): 100: 0 (100% for eyepiece) 80:20 (80% for trinocular head, and 20% for eyepiece)	●
Seidentopf Trinocular Head	Inclined 45°, interpupillary distance: 48-76mm Light distribution (both): 100: 0 and 0:100 (100% for eyepiece or 100% for trinocular head)	○
Adaptor for Digital Photography	100% light for Photography Port (Adaptor for CANON or NIKON SLR Digital Photography Camera)	●
Nosepiece	Quintuple	●
Mechanical Stage	Stage size: X×Y 210×241mm, Round slide size: φ110mm, Attached mechanical stage(available for 96 holes plate, moving range X×Y : 128×80mm.)	●
Culture Dish Holder	65mm+35mm	○
	54mm	●
	blood cell counter	○
	Glass Holder	○
	Universal Holder	○
Condenser	4-hole rotating disc phase contrast condenser N.A.0.4, W.D.45mm, It can be up-down adjusting	●
Koehler Illumination	12V/50W Halogen, input voltage: 100V~240V	●
	5WLED, input voltage: 100V~240V	○
Filter(Φ34)	Blue	●
	Green,	●
	Amber / Grey	○
C-mount	1 X /0.35X /0.5X /0.75X C-Mount (focus adjustable)	○
Epi Fluorescence Illumination	Epi fluorescence media unit , field diaphragm, center adjustable.	○
	100W mercury lamp ,5WLED(input voltage:100V~240V)	○
	B, G, Y, UV fluorescence filters can be chosen	○

Note: "●"10 Table Is Standard outfits, "○" Is Optional Accessories.

Packing Size: 660mmx590mmx325mm Gross Weight: 18 kgs Net Weight: 13.5 kgs