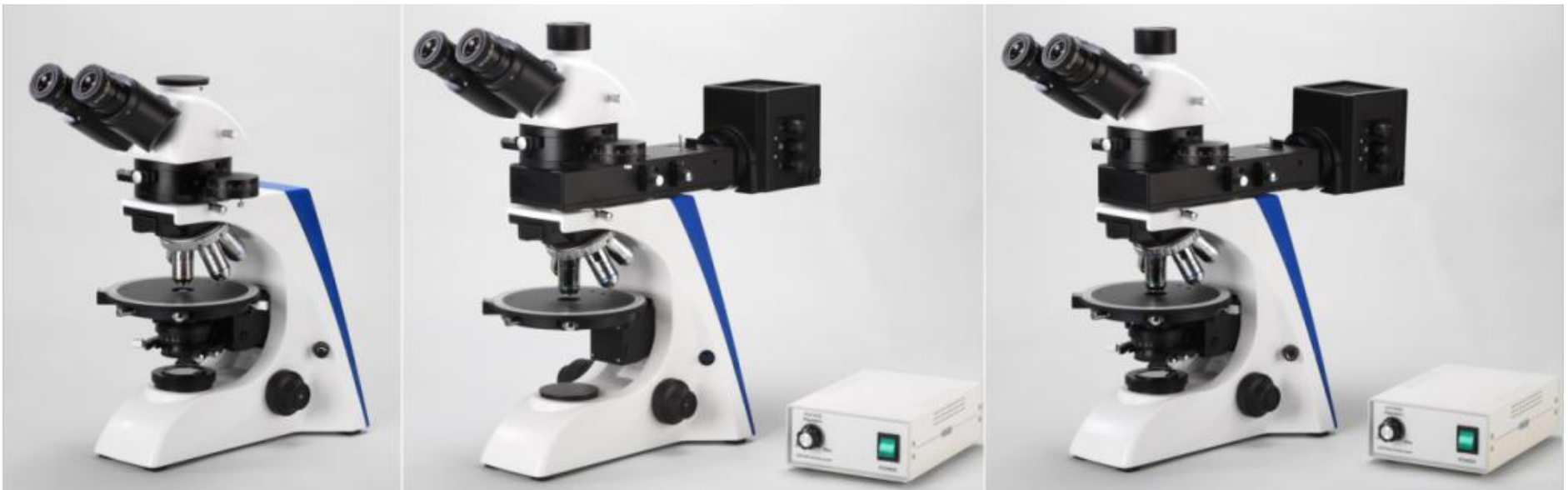


## BK-POL Series Polarizing Microscope

- Also named mineralogical microscope, is necessary for researching double refraction sample, which is widely used in geology, mineral, chemical industry, medical, drug, criminal investigation fields etc.



• BK-POL

• BK-POLF

• BK-POLR



- Professional binocular head can keep the cross in the right-hand eyepiece always same when the eyepiece tubes turned.



- Analyzer unit: 360° rotatable analyzer with division, can be locked and moved out of the light path.
- Bertrand lens, Built In , focus adjustable



- POL-YDC Attached polarizing mechanical stage



- Centering nosepiece, non-stress infinity plan objective.
- Rotatable 360° stage, division 1°, vernier division 6', adjustable center which can be locked.
- Polarizing unit: rotatable 360°, scaled, can be locked.

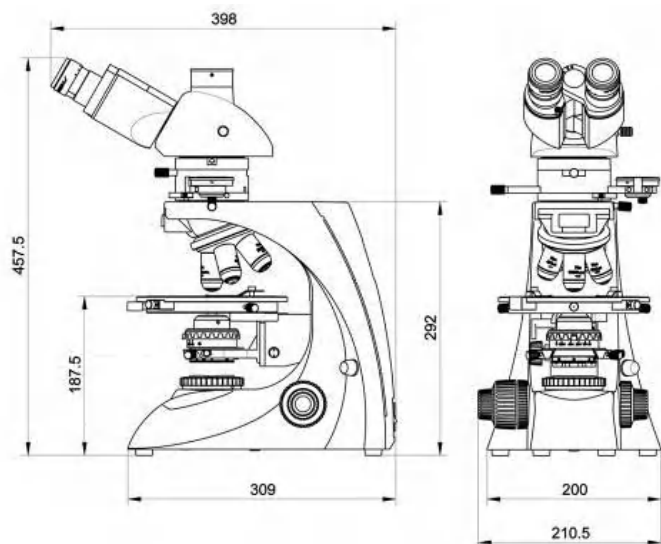


- POL-YDCLK Attached polarizing mechanical stage: professional design for laboratory's user to avoid objective hitting. Compensator: Quartz wedge, First class red slip,  $\lambda/4$  slip. Swing-out condenser, Swing the lens in to get excellent image when using high power objective to make observation.

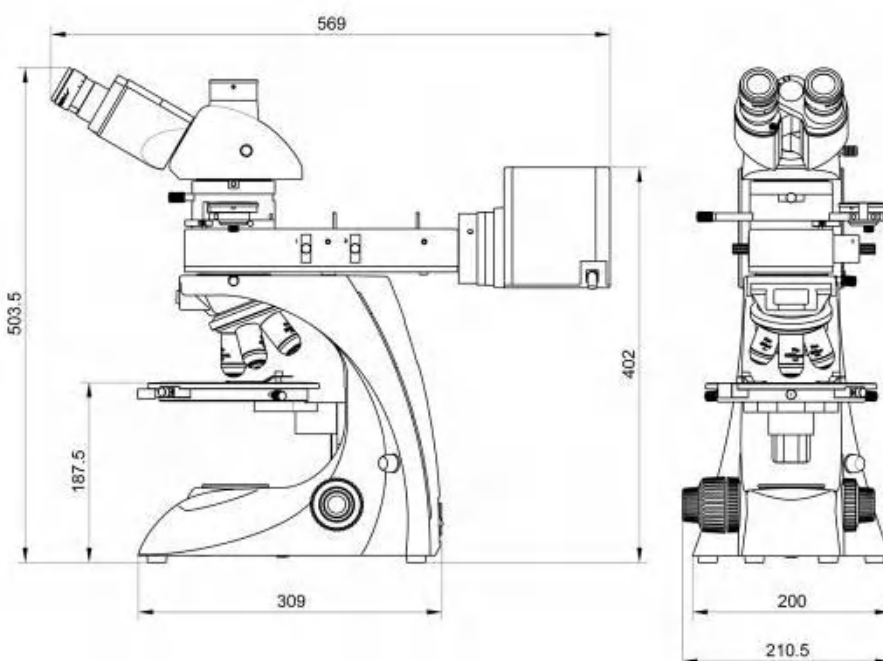
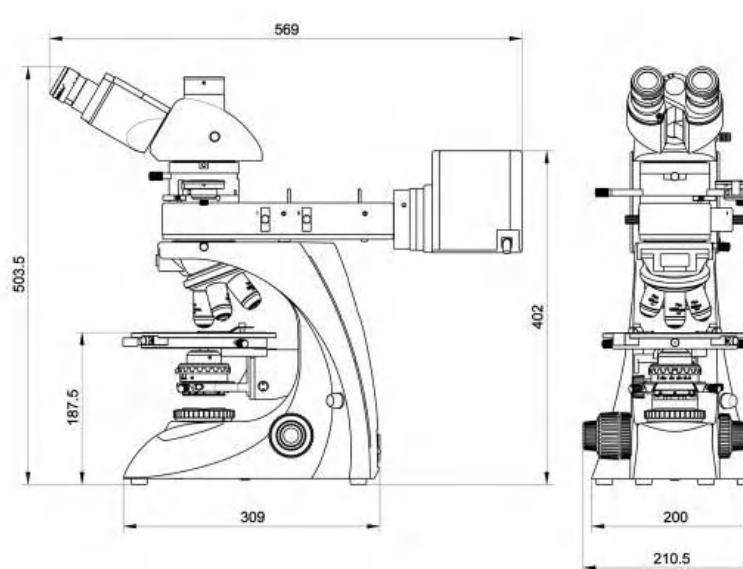
**Objective Specification:** ( "●" is standard outfits, "○" is optional accessories. )  
 "T" means transmitting "R" means reflecting "T&R" means transmitting and reflecting

	Objectives	N.A.	Working Distance (mm)	BK-POL (T)	BK-POLF (R)	BK-POLR (T&R)
Non-stress Infinity Plan Objective (Transmitting)	PLAN 4X	0.10	12.10	●		●
	PLAN 10X	0.25	4.64	●		●
	PLAN 20X (S)	0.40	2.41	●		●
	PLAN 40X (S)	0.66	0.65	●		●
	PLAN 60X (S)	0.80	0.33	○		○
	PLAN 100X (S, Oil)	1.25	0.12	○		○
Non-stress LWD Infinity Plan Objective (Reflecting)	LMPlan FL 5× (Semi Apochromatic Objective)	0.15	21.00		●	○
	LMPlan FL 10× (Semi Apochromatic Objective)	0.30	20.00		●	○
	LMPlan FL 20× (Semi Apochromatic Objective)	0.40	15.00		●	○
	LMPlan FL 50× (Semi Apochromatic Objective)	0.75	4.25		●	●
	LMPlan 100× (Dry) (Semi Apochromatic Objective)	0.85	3.00		○	○

**BK-POL Transmitting Polarizing Microscope Size(mm)**



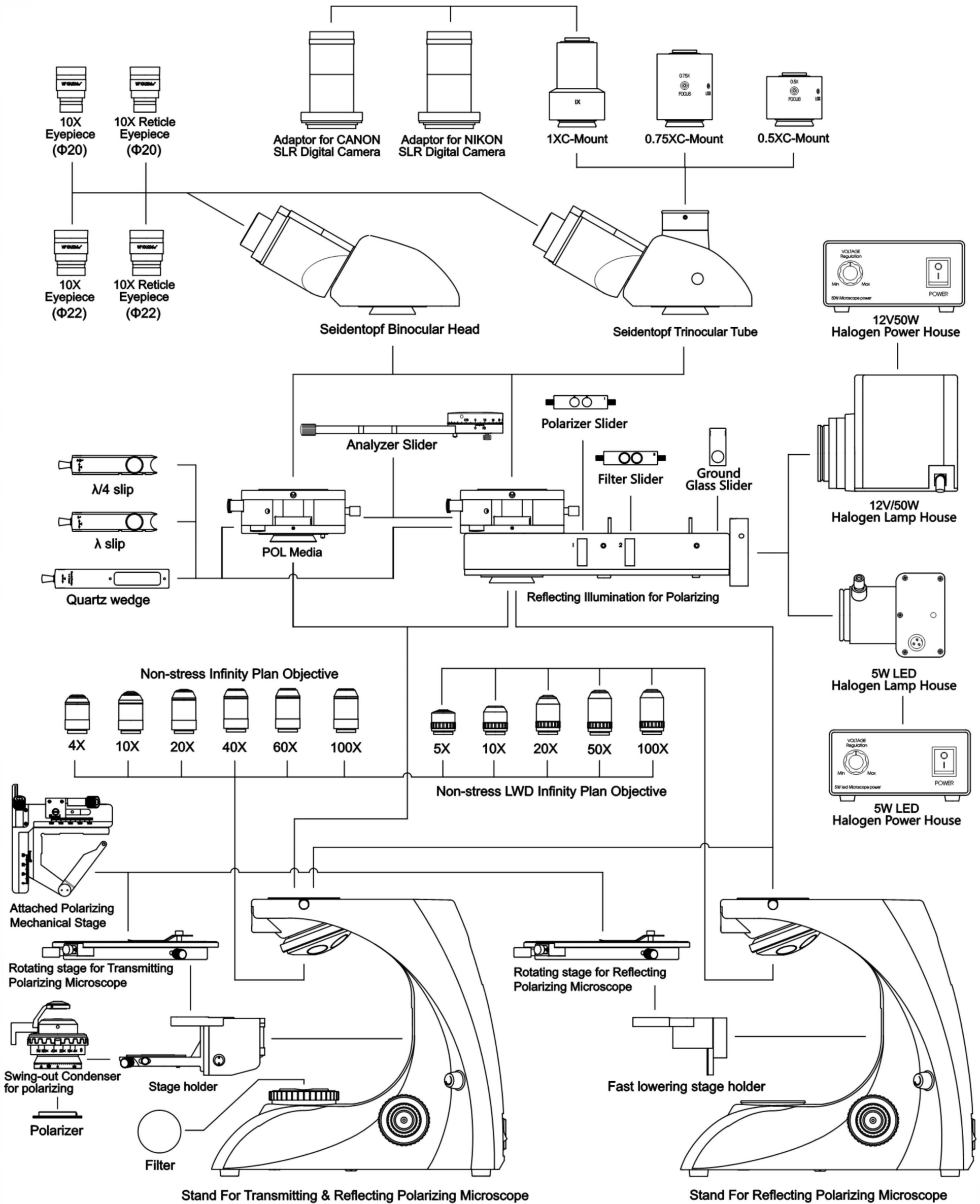
**BK-POL R Transmitting & Reflecting Polarizing Microscope Size(mm)**



**BK-POL F Reflecting Polarizing Microscope Size(mm)**



## BK-POL Series Polarizing Microscope General Layout Diagram



## BK-POL Series Polarizing Microscope Outfits

Items	Specification	BK-POL	BK-POLF	BK-POLR
Eyepiece	WF10X / 22mm ( adjustable )	●		
	WF10X / 22mm ( adjustable , reticule 0.1mm )	●		
	WF10X / 20mm ( adjustable )		●	●
	WF10X / 20mm ( adjustable , reticule 0.1mm )		●	●
Professional Polarizing Seidentopf Binocular Head	Inclined 30°, rotatable 360°, Interpupillary distance: 48mm ~ 76mm	●	●	●
Professional Polarizing Seidentopf Trinocular Head	Inclined 30°, Rotatable 360°, Interpupillary Distance : 48mm ~ 76mm, Light distribution ( both ) 100: 0 ( 100% for eyepiece ) 80:20 ( 80% for trinocular head and 20% for eyepiece ) ○	○	○	○
Non-stress Infinity Plan Objective (Transmitting)	PLAN 4X / 0.10      W.D.= 12.1mm	●		●
	PLAN 10X / 0.25      W.D.= 4.64mm	●		●
	PLAN 20X / 0.40(S)      W.D.=2.41mm	●		●
	PLAN 40X / 0.66(S)      W.D.=0.65mm	●		●
	PLAN 60X / 0.80(S)      W.D.=0.33mm	○		
	PLAN 100X / 1.25(S , Oil)      W.D.=0.12mm	○		
Non-stress LWD Infinity Plan Objective (Reflecting)	LMPlan FL 5×/0.15 (Semi Apochromatic Objective)      W.D.=21.00mm		●	○
	LMPlan FL 10×/0.30 (Semi Apochromatic Objective)      W.D.= 20.00mm		●	○
	LMPlan FL 20×/0.40 (Semi Apochromatic Objective)      W.D.= 15.00mm		●	○
	LMPlan FL 50×/0.75 (Semi Apochromatic Objective)      W.D.= 4.25mm		●	●
	LMPlan 100×/0.85 (Dry) (Semi Apochromatic Objective)      W.D.= 3.00mm		○	○
Nosepiece	Quintuple (center adjustable)	●	●	●
POL Media	Analyzer rotatable 360°, module type, can be locked	●	●	●
	Bertrand lens, Built In, focus adjustable	●	●	●
Slip	λslip (First Class Red)	●	●	●
	λ/4 slip	●	●	●
	Quartz wedge (I ~ IV)	●	●	●
Revolving Round Stage	Rotatable 360°, center adjustable, can be locked. division 1°, vernier division 6'. Diameter Φ174 mm	●	●	●
Swing-out Condenser	N.A.0.9/0.13, polarizing unit ( with scale, rotatable 360°, can be locked)	●		●
Coaxial Coarse and Fine Focusing Unit	Coarse stroke 25mm, Fine stroke per rotation:0.2mm, fine division 2 μm	●	●	●
Transmitting/ Reflecting Illumination	5WLED lamp DC input(Universal voltage:100V ~ 240V )	●	●	●
Transmitting Illumination	12V/30W Halogen lamp(Universal voltage:100V ~ 240V )	○		○
Reflecting Illumination	12V/50W halogen lamp(Universal voltage:100V~240V )		○	○
Filter	Blue/ Amber/ Green/ Neutral	○	○	○
Attached Polarizing Mechanical Stage		○	○	○
C-Mount	1X /0.75 X /0.5 X (Focus adjustable)	○	○	○

Note: "●" In Table Is Standard outfits, "○" Is Optional Accessories.

Packaging Parameters	Packing Size	Gross Weight	Net Weight
BK-POL	520mmx470mmx285mm	12.5 kgs	10 kgs
BK-POL R	520mmx470mmx430mm	16 kgs	12.5 kgs
BK-POL F	520mmx470mmx430mm	15 kgs	11.5 kgs