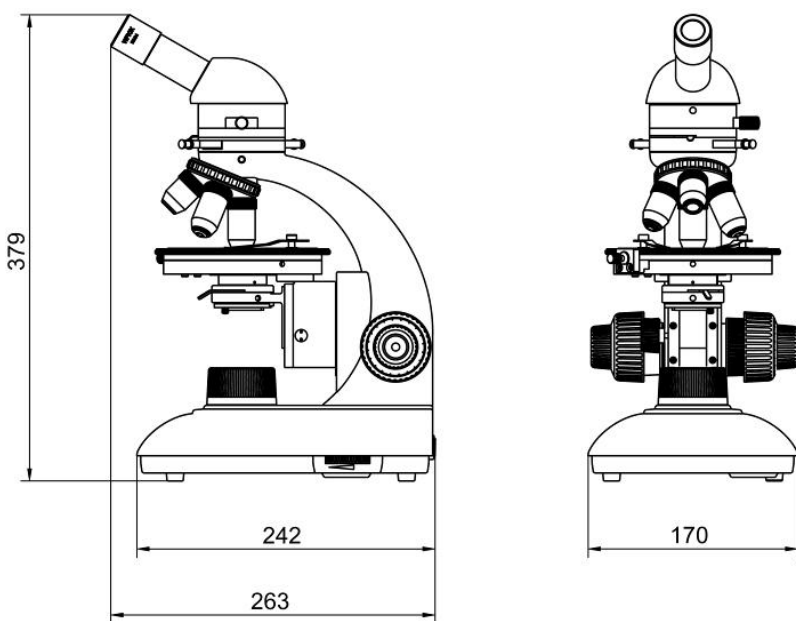


B-POL Polarizing Microscope



B-POL Polarizing Microscope Size (mm) :



B-POL Polarizing Microscope Outfits

Items	Specification	B-POL
Eyepiece	WF 10×-18mm (Cross, Reticule 0.1mm)	●
	WF 16×-13mm	○
Non-stress Achromatic Objective	4×	●
	10×	●
	40× (S)	●
	20×	○
	60× (S)	○
Mono Head	Inclined 30°, Rotatable 360°	●
Nosepiece	Quadplex	●
Analyzer Unit	0-90°, It can be moved out of the optical path for single polarizing observe.	●
Bertrand Lens	It can be moved out of the optical path.	●
λ Slip	First Class Red	●
1/4λ Slip		●
Quartz Wedge	(I-IV Class)	○
Revolving Round Stage	Rotatable 360°, Division 1°, Vernier division 6', can be locked. Diameter Φ142mm	●
Polarizing Attached Meehan cal Stage		○
Condenser	Abbe N.A. 1.25	●
Polarizing Unit	It can be moved out of the optical path.	●
Illumination	3WLED Lamp DC input, wide voltage 100V-240V	●
	12V/20W halogen lamp, wide voltage 100V-240V	○

Note: "●" In Table Is Standard outfits, "○" Is Optional Accessories.