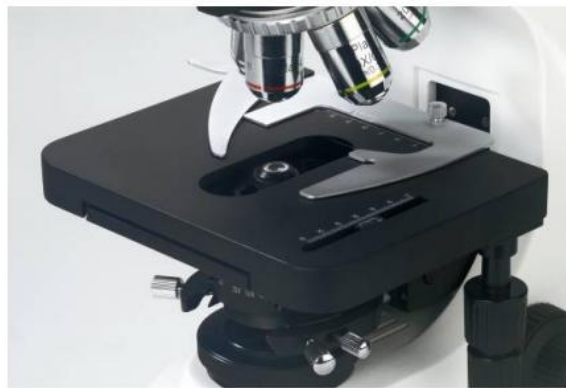


BK6000 Series **Biological Microscope**

- Wide field eyepiece, view field up to $\Phi 22\text{mm}$, more comfortable for observation
- Trinocular observing tube with dual transform
Light distribution (both): 100 : 0 (100% for eyepiece)
80 : 20 (80% for trinocular head and 20% for eyepiece)
- Integrated stage is safer than traditional stage



BK6000 Binocular Biological Microscope

- Quintuple turret phase contrast unit with 10X/20X/40X/100X infinity plan phase contrast objective for phase contrast and bright field observation.



- N.A.0.9/0.13 Swing-out Condenser
- Dark field condenser NA0.83-0.91 (dry)available to 4X-40X Objective
- Dark field condenser NA>1.30 (wet) available to 100X Objective



- Infinity Plan Objectives





BK6000-FL2/FL4 Fluorescence Microscope
(100W mercury lamp)



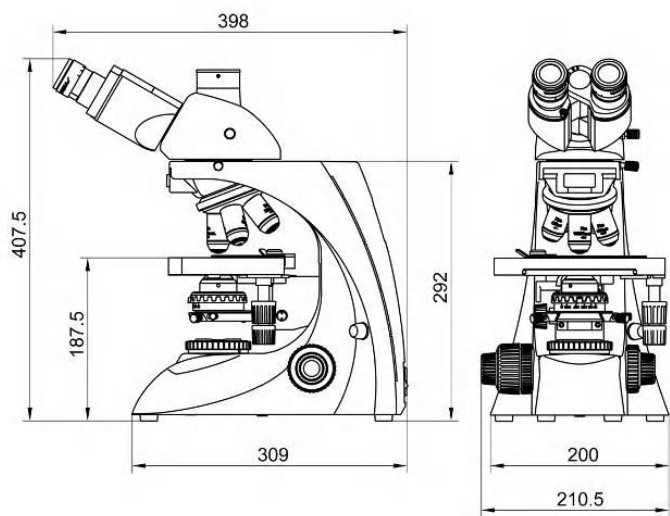
BK6000-FL2LED/FL4LED Fluorescence Microscope
(5WLED lamp)



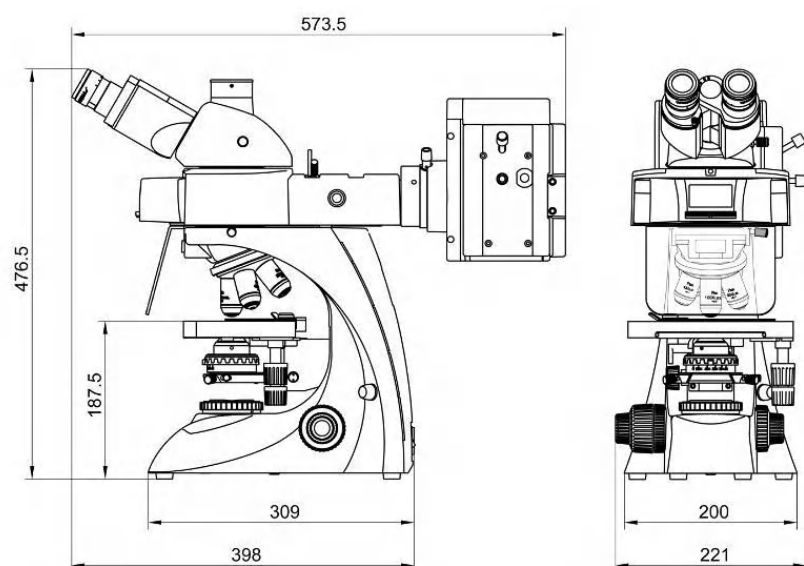
- Six-holes disk fluorescence unit,
More fluorescence filters can be supplied



- Polarizer, analyzer for simple polarizing unit.

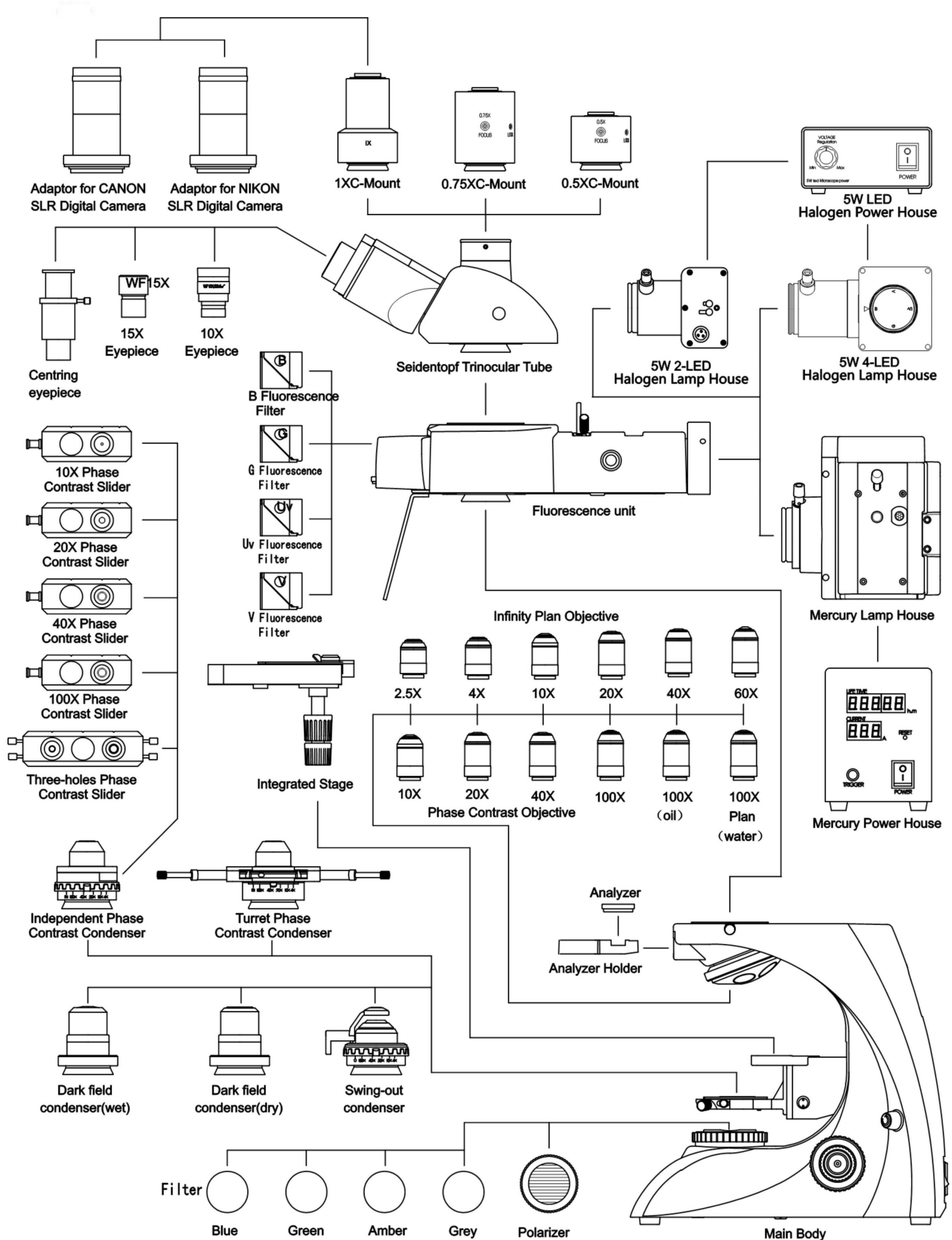


- BK6000 Biological Microscope Size(mm)



- BK6000 Fluorescence Microscope Size(mm)

BK6000 Series Biological Microscope General Layout Diagram



BK6000 Series Biological Microscope Outfits

Items	Specification	Outfits
Eyepiece	WF10× / 22mm (diopter adjustable)	●●
Infinity Plan Objectives	PLAN 4× / 0.10 W.D.=12.10mm	●
	PLAN 10× / 0.25 W.D.=4.64mm	●
	PLAN 20× / 0.40(S) W.D.=2.41mm	●
	PLAN 40× / 0.66(S) W.D.=0.65mm	●
	PLAN 100× / 1.25(S, Oil) W.D.=0.12mm	●
	PLAN 2× / 0.06 W.D.=7.2mm	○
	PLAN 60× / 0.80(S) W.D.=0.33mm	○
	PLAN 100× / 1.15(S, W) W.D.=0.19mm	○
Infinity Plan Semi Apochromatic Objective	UPlanFLN 10X/0.30 W.D.=7.68mm	○
	UPlanFLN 20X/0.50 W.D.=1.96mm	○
	UPlanFLN 40X/0.75 W.D.=0.78mm	○
	UPlanFLN 100X /1.30 (Oil) W.D.=0.15mm	○
Seidentopf Binocular Head	Inclined 30°, rotatable 360°, Interpupillary distance:48mm-76mm	●
Seidentopf Trinocular Head	Inclined 30°, rotatable 360°, Interpupillary distance:48mm-76mm, Light distribution (both): 100: 0 (100% for eyepiece) 80:20 (80% for trinocular head and 20% for eyepiece)	○
Nosepiece	Quintuple	●
Mechanical Stage	Integrated stage Stage size: 182 mm×140mm, Travel range: 77mm×52mm Two-slide holder	●
Swing Out Condenser	N.A. 0.9/0.13, Swing out with iris diaphragm.	●
Koehler Illumination	12V/30W Halogen Lamp Wide voltage input: 100V ~ 240V Field diaphragm , center adjustable	●
LED Illumination	W LED (DC input) Wide voltage input: 100V ~ 240V Field diaphragm , center adjustable	○
Lilter	Blue	●
	Green /Amber /Grey	○
C-mount	1×/0.35X/0.5×/0.75×C-mount (focus adjustable	○
Lluorescence Attachment	Epi fluorescence unit (six-hole disc media which can be fixed with Uv /V/B/G and another filters) ,100W mercury lamp.	○
	Epi fluorescence unit (six-hole disc media which can be fixed Uv /V/B/G), LED fluorescence lamp.	○
Phase Contrast Unit	Quintuple hole turret 10× /20× /40× /100× phase contrast objective	○
	Independent slot 10× /20× /40× /100× phase contrast objective	○
Dark Field Unit	Dark field condenser (dry), apply to 4×- 40× objective	○
	Dark field condenser (wet), apply to 100× objective	○
Polarizing Attachment	Analyzer / Polarizer	○

Note: "●" In Table Is Standard outfits, "○" Is Optional Accessories.

Packing Size:520mmx475mmx285mm Gross Weight: 12 kgs Net Weight: 10kgs