

## SMART Series Biological Microscope

1. Excellent OTICS infinity optical system, outstanding resolution and definition.
2. Original integrated stand for excellent stability.
3. Unique aspheric illumination system, provide bright and comfortable lighting.
4. Various colorful matching looking can provide lively environment and happy mood.
5. Various accessories for upgrading.
6. Back handle and observing hole convenient for carry and operation.
7. Alternative color for main body.



SMART-FL LED Fluorescence Microscope



SMART-FL Fluorescence Microscope



Rackless(Integrated) stage



Phase contrast unit, Independent phase contrast unit (apply to infinity optical system)

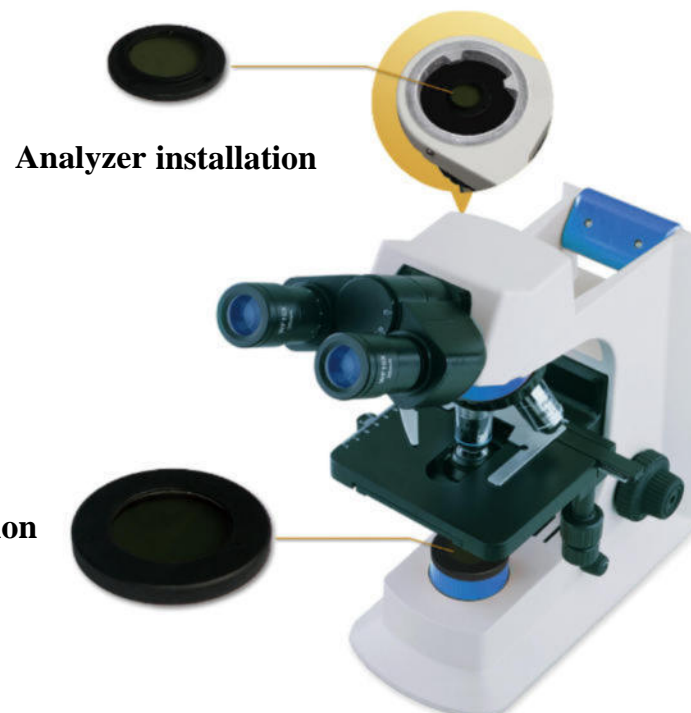


Dry Dark Field Condenser



Mirror

Polarizer, analyzer for simple polarizing unit.



Polarizer installation

Analyzer installation

Simple polarizing unit  
Polarizer, analyzer for simple polarizing unit

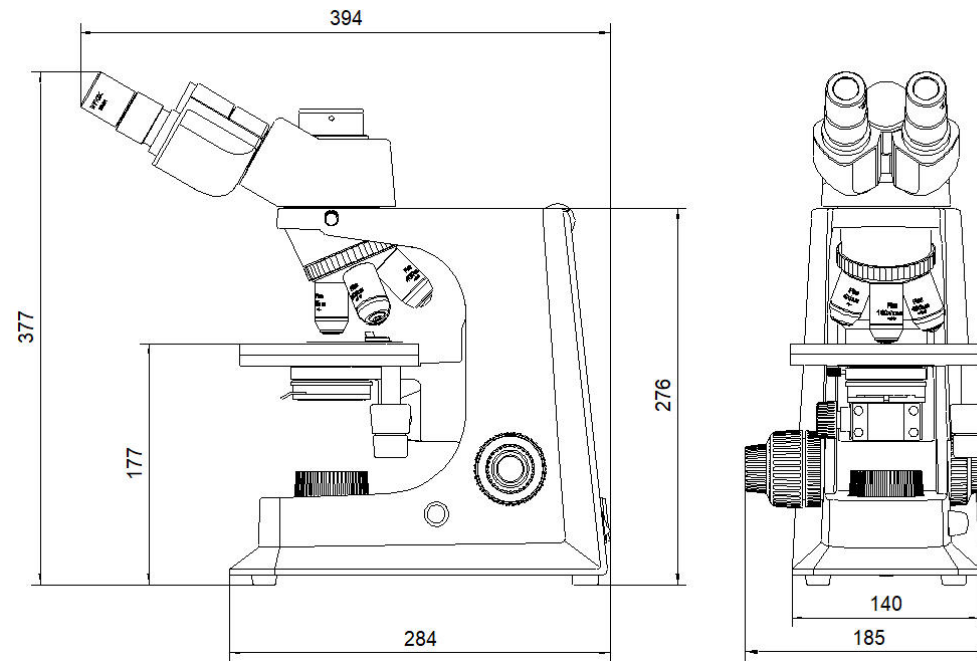
## SMART Series Biological Microscope Outfits

Items	Specification	SMART-1	SMART-2	SMART-3	SMART-4
Eyepiece	WF 10X-18mm	●●			
	WF 10X- 20mm		●●	●●	●●
Finity Achromatic Objective	4X/0.10      WD=18.6mm	●			
	10X/0.25      WD=6.5mm	●			
	40X(S)/0.65      WD=0.47mm	●			
	100X/1.25 (Oil) (S) /1.25      WD=0.07mm	●			
Finity Plan Achromatic Objective	Plan 4X/0.10      WD=14.5mm		●		
	Plan 10X/0.25      WD=5.65mm		●		
	Plan 40X/0.65 (S)/0.65      WD=0.85mm		●		
	Plan 100X/1.25 (Oil) (S)/1.25      WD=0.07mm		●		
Infinity Achromatic Objectives	E-Plan4X/0.10      WD=12.1mm			●	
	E-Plan10X/0.25      WD=4.14mm			●	
	E-Plan40X (S)/0.65      WD=0.58mm			●	
	E-Plan100X (Oil) (S)/1.25      WD=0.19mm			●	
InfinityPlan Achromatic Objectives	Plan 4X/0.10      WD=12.1mm				●
	Plan 10X/0.25      WD=4.64mm				●
	Plan 40X (S)/0.66      WD=0.65mm				
	Plan 100X (Oil) (S)/1.25      WD=0.12mm				●
	Plan 20X/0.40      WD=2.41mm			○	○
	Plan 60X (S)/0.80      WD=0.33mm			○	○
Butterfly Seidentopf Binocular Head	Inclined 30°,Rotatable 360°, Interpupillary Distance 48-75mm	●	●	●	●
Butterfly Seidentopf Trinocular Head	Inclined 30°,Rotatable 360°, Interpupillary Distance 48-75mm, Light Distribution 20:80	○	○	○	○
Nosepiece	Quadplex	●	●	●	●
	Quintuple	○	○	○	○
Mechanical Stage	Stage Size: 145 mm×140mm Travel: 76mmX52mm, Scale: 0.1mm Coaxial Coarse and Fine Focusing Knobs Travel Range: 26mm, Scale: 2um Two Slide Holder	●	●	●	●
	Rackless(Integrated) stage, size: 140×135mm,Travel range: 75×35mm, Two-slide holder	○	○	○	○
Condenser	Abbe N.A. 1.25(Iris Diaphragm)	●	●	●	●
Illumination	3W-LED Illumination Systems (DC input)	●	●	●	●
	12V/20W Halogen Lamp	○	○	○	○
	12V/30W Halogen Lamp	○	○	○	○
Field Diaphragm		○	○	○	○
Dark Field Condenser	Dry, apply to 4X - 40X objective			○	○
Polarizing Attachment	Analyzer/Polarizer			○	○
Independent phase contrast unit	10X /20X /40X /100X			○	○
Fluorescence Attachment	Epi fluorescence unit ( six-hole disc media which can be fixed with Uv /V/B/G and another filters) ,100W mercury lamp.			○	○
	Epi fluorescence unit ( six-hole disc media which can be fixed Uv /V/B/G), 5W-LED fluorescence lamp.			○	○
Filter	Blue /Green /Yellow/Grey	○	○	○	○
C-Mount	1X/ 0.35X/0.5X/0.75X	○	○	○	○
Mirror		○	○	○	○

Note: "●" In Table Is Standard outfits, "○" Is Optional Accessories.

Packing Size: 550mmx380mmx290mm Gross Weight: 7.5 kgs Net Weight: 6.5 kgs

### SMART Biological Microscope Size(mm)



Note:

China Fluorescence Filters Parameter List				
	Item	Exciter (nm)	Dichroic (nm)	Emitter (nm)
Ultraviolet excitation	UV	EX361-389	DM415	EM435LP
Violet excitation	V	EX390-420	DM430	EM470LP
Blue excitation	B	EX420-480	DM505	EM520LP
Green excitation	G	EX525-555	DM565	EM590LP

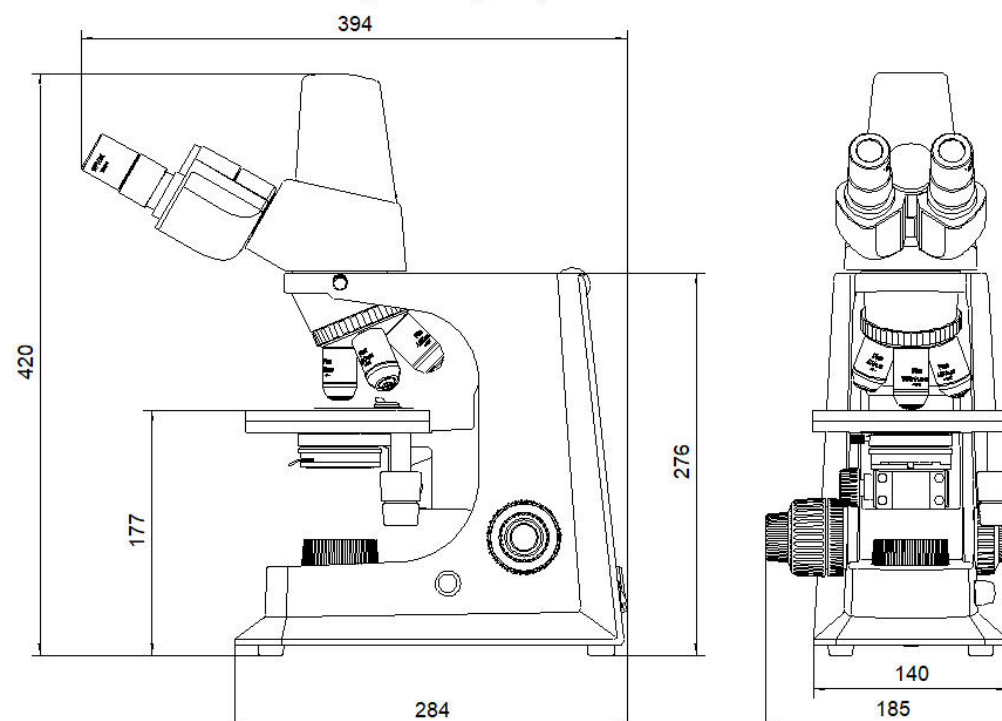
FL2: B/G domestic color filter, six-hole turntable type, 100W mercury lamp

FL2LED: B/G domestic color filter, six-hole turntable type, 5W-LED lamp

FL4: B/G/U/UV domestic color filter, six-hole turntable type, 100W mercury lamp

FL4LED: B/G/U/UV domestic color filter, six-hole turntable type, 5W-LED lamp

### SMART-FL Fluorescence Microscope Size(mm)



## SMART-E500 Digital Microscope Characteristics

1. Dustproof, moisture-proof, built-in chip.
2. Light distribution 20:80, eyepiece observation synchronized with digital imaging without switching.
3. Built-in 5MP digital camera system, 1/2.8" CMOS color sequential scanning.
4. USB2.0 connection without external power supply.
5. Available for WINDOWS system.



## SMART-E Digital Microscope Outfits

	Specification	SMART-E500
Condenser	WF 10X-20mm	●●
	E-Plan4X/0.10      WD=12.1mm	●
Illumination	E-Plan10X/0.25      WD=4.14mm	●
	E-Plan40X (S)/0.65      WD=0.58mm	●
	E-Plan100X (Oil) (S)/1.25      WD=0.19mm	●
Seidentopf Binocular Head	Inclined 30°, Rotatable 360°, Interpupillary Distance: 50-75mm	●
Nosepiece	Quadplex	●
Mechanical Stage	Stage Size: 145mm×140mm Travel: 76mm×52mm, Scale: 0.1mm, Two Slide Holder	●
Condenser	Abbe N.A. 1.25(Iris Diaphragm)	●
Illumination	3W LED Illumination Systems	●
	12V/20W Halogen Lamp	○
	12V/30W Halogen Lamp	○
Image Systems		5 MP Pixel

Note: "●" In Table Is Standard outfits, "○" Is Optional Accessories.

Packing Size: 550mm×380mm×290mm    Gross Weight: 8 kgs    Net Weight: 7 kgs

## SMART-E500 Digital Microscope Size(mm)

