

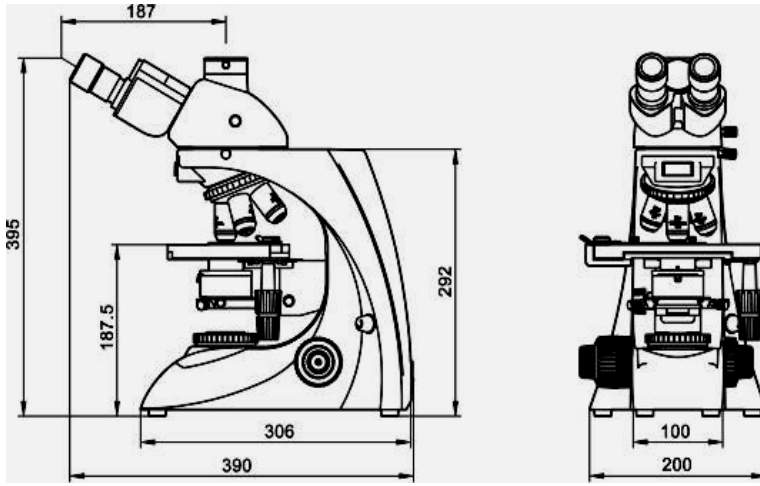


BK-FL2/FL4 Series Biological Microscope Outfits

Items	Specification	BK-FL2	BK-FL4
Eyepiece	WF10× / 20mm	●●	●●
	WF10× / 20mm (Reticule 0.1mm)	○	○
	WF16×	○○	○○
Infinity Plan Achromatic Objectives	PLAN 4× / 0.10	●	●
	PLAN 10× / 0.25	●	●
	PLAN 20× / 0.40(s)	●	●
	PLAN 40× / 0.66(s)	●	●
	PLAN 100× / 1.25(s, oil)	●	●
	PLAN 2.5× / 0.07	○	○
	PLAN 60× / 0.80(s)	○	○
Observing tube	Seidentopf Binocular Head	○	○
	Seidentopf Trinocular Head	●	●
Nosepiece	Inward Inclined positional quintuple nosepiece	●	●
Stage	Mechanical stage	●	●
Condenser	Abbe N.A.1.25	●	●
	Swing out achromatic condenser, N.A.0.9/0.13	○	○
Illumination device	6V/20W halogen (wide range input voltage: 100V~240V)	●	●
	6V/30W halogen (wide range input voltage: 100V~240V)	○	○
	3W-LED cold light illumination	○	○
Filter	Blue (optional : yellow, green, gray)	●	●
C-mount	1×C-Mount (apply to digital camera)	○	○
	0.57×C-Mount (apply to camera system)	○	○
Adaptor for digital camera	Apply to CANON / NIKON / OLYMPUS etc.	○	●
Fluorescence Attachment	Epi fluorescence unit (B、G、Uv、V)		
	Epi fluorescence unit (B、G)	●	●
	100W mercury lamp house	●	●
	100Wmercury power source (optional: pointer or digital)	●	●
	Centering objective	●	
	3W-LED Epi fluorescence unit (B、G)	○	

Note: “●”In Table Is Standard Attachment. “○” Is Optional Accessories

BK5000 Biological Microscope size



BK-FL Fluorescence Microscope size

